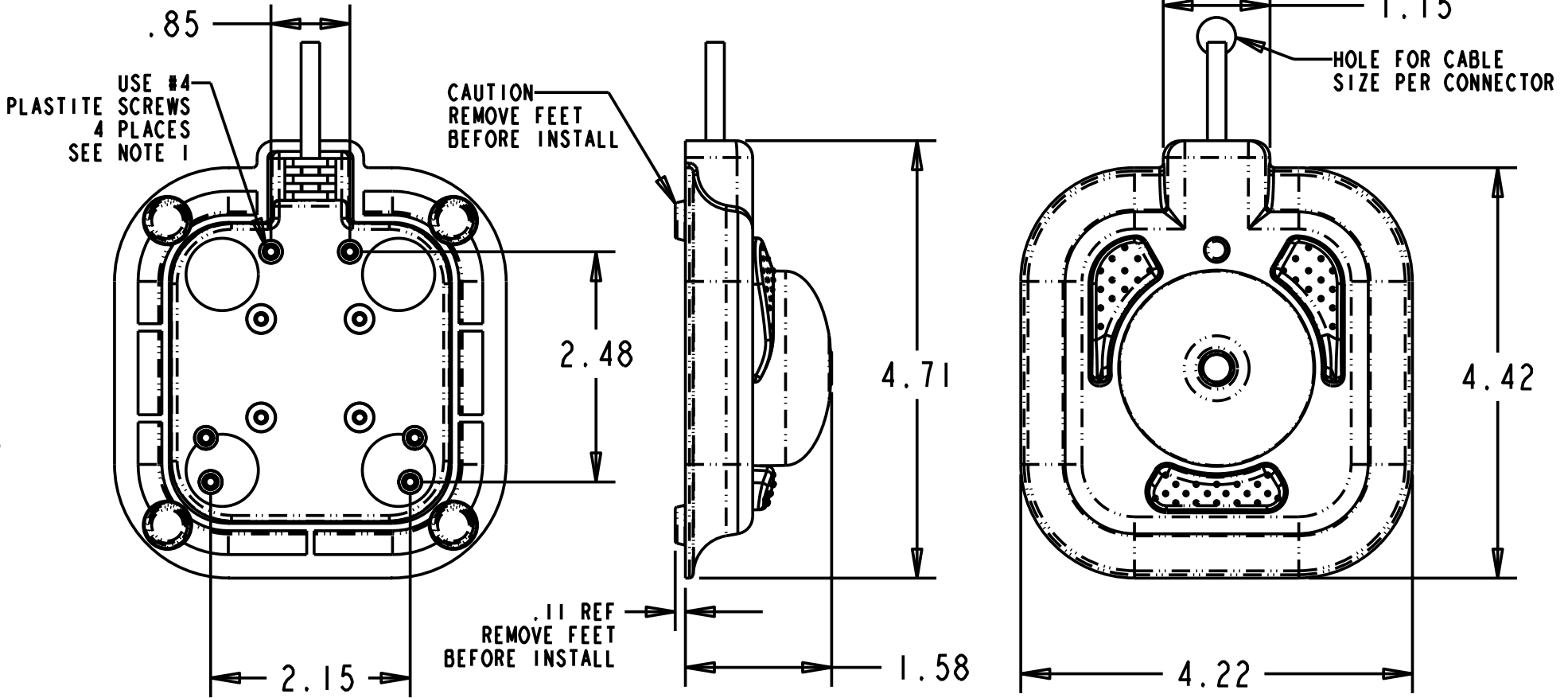


REVISION HISTORY

REV	DESCRIPTION	BY	DATE
-----	-------------	----	------

NOTE:

- USE #4 PLASTITE SCREWS
LENGTH = .475" + MOUNTING PLATE THICKNESS
- ALL DIMENSIONS SHOWN IN INCHES



MODEL #	ORIENTATION
-A0001	AS SHOWN
-A0002	ROTATE 180°

DWN:	L. Moore	02/14/05	ITAC SYSTEMS, INC.		
CHK:	G. Magel	02/14/05			
ENGR:	L. Moore	02/14/05	ASSEMBLY DRAWING		
LGSTS:	L. Miller	02/14/05	PANEL TOP		
MFG:	J. Rodriguez	02/14/05	HAND-TRAK		
RLSE:	D. Bynum	02/14/05	SIZE	DRAWING NUMBER	REV
			A	16-1001607	A