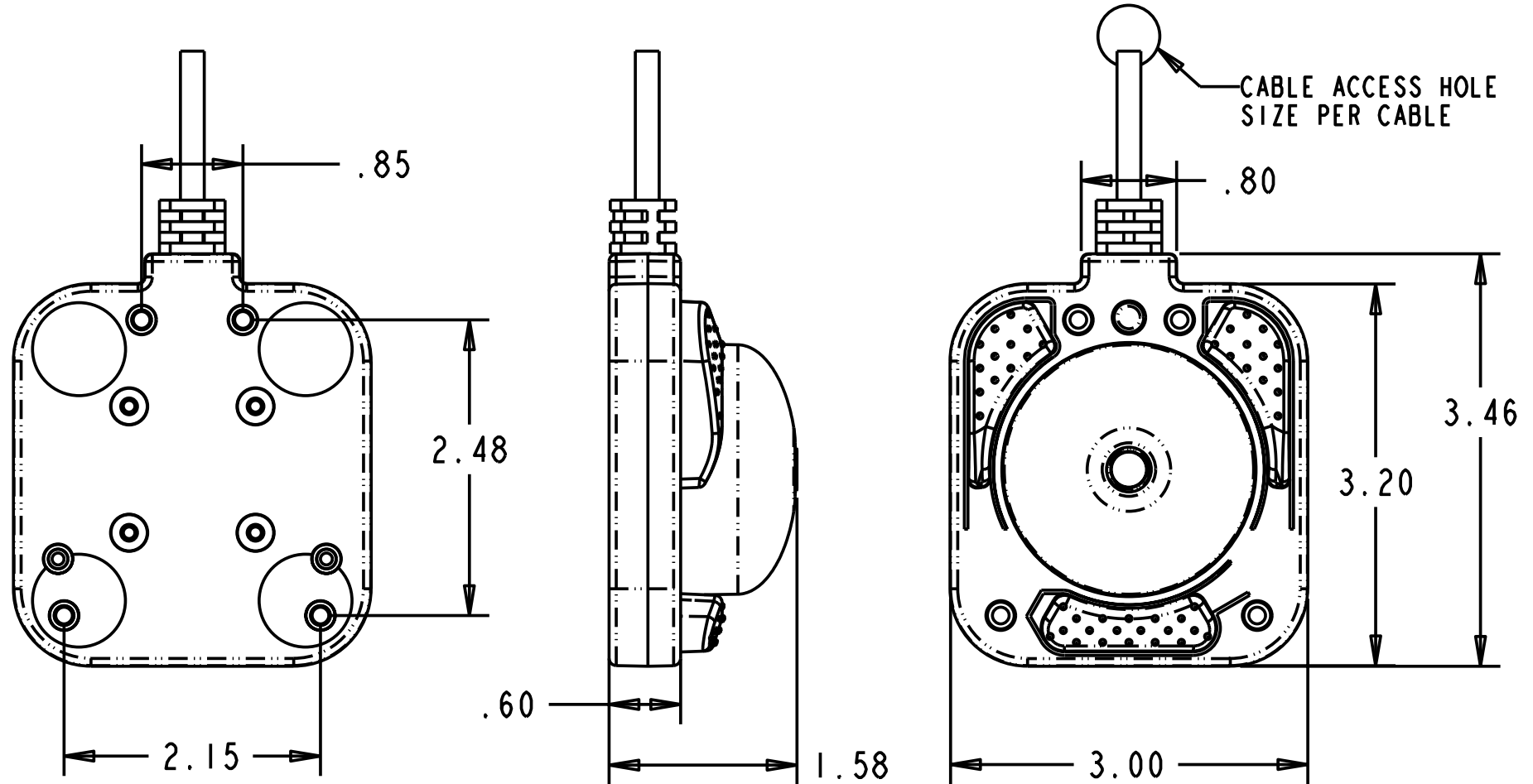


REVISION HISTORY

REV	DESCRIPTION	BY	DATE
-----	-------------	----	------

NOTES:

1. SEE TABLE FOR MOUNTING ORIENTATION
2. ALL DIMENSIONS ARE IN INCHES
3. REFER TO 16-1001606 FOR PANEL CUTOUT DIM.
4. MOUNT USING .112-40 UNC (#4-40) X 7/16" L - QTY 4



MODEL #	ORIENTATION
-A0001	AS SHOWN
-A0002	ROTATED 180°

DWN: L. Moore	02/14/05	ITAC SYSTEMS, INC.		
CHK: G. Magel	02/14/05			
ENGR: L. Moore	02/14/05	ASSEMBLY DRAWING		
LGSTS: L. Miller	02/14/05	PANEL MOUNT		
MFG: J. Rodriguez	02/14/05	HAND-TRAK		
RLSE: D. Bynum	02/14/05	SIZE	DRAWING NUMBER	REV
		A	16-1001605	A